

Technical data sheet



Product features

Chilled display unit GN 4-1/1 bottom cover, opening to the sides, Hemlock

Model	SAP Code	00012141
--------------	-----------------	----------



- Buffet type: PLATINUM - dynamically cooled showcase
- Device properties: Chilled
- Number of GN / EN: 4
- GN / EN size in device: GN 1/1
- GN device depth: 200
- Minimum device temperature [°C]: 4
- Maximum device temperature [°C]: 8

SAP Code	00012141	Loading	230 V / 1N - 50 Hz
Net Width [mm]	1494	Number of GN / EN	4
Net Depth [mm]	760	GN / EN size in device	GN 1/1
Net Height [mm]	1688	GN device depth	200
Net Weight [kg]	183.00	Minimum device temperature [°C]	4
Power electric [kW]	0.494	Maximum device temperature [°C]	8

Technical data sheet



Technical drawing

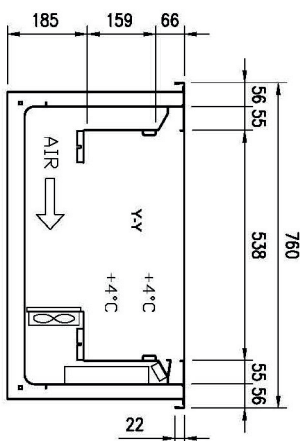
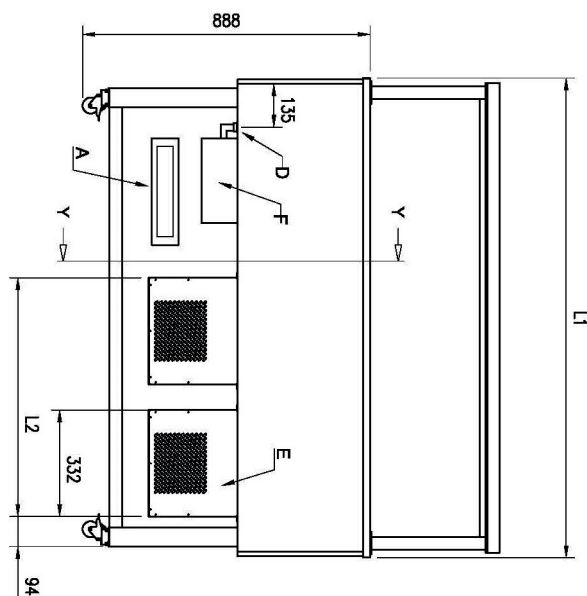
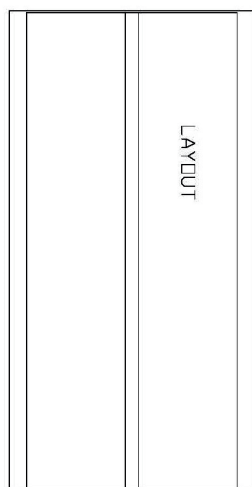
Chilled display unit GN 4-1/1 bottom cover, opening to the sides, Hemlock

Model

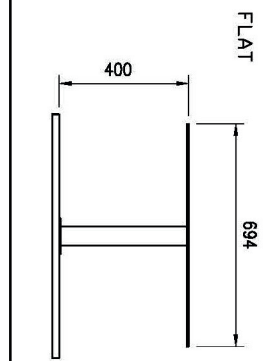
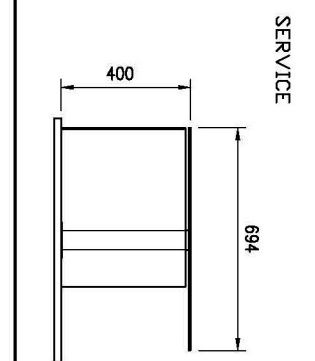
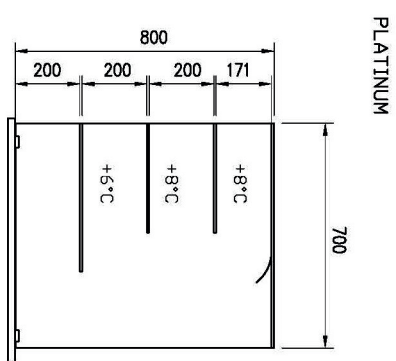
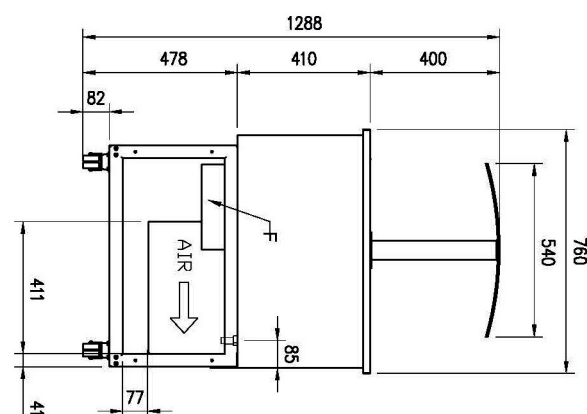
SAP Code

00012141

A= ELECTRICAL CONNECTION
 D= WATER DISCHARGE ø16
 E= GAS CONNECTION ø8 ø10
 F= WATER BOX



GN	L1	L2
4/1	1494	744
6/1	2144	1069



Technical data sheet



Product benefits

Chilled display unit GN 4-1/1 bottom cover, opening to the sides, Hemlock

Model

SAP Code

00012141

1

Dynamic cooling

constant temperature in all places of the refrigerated space

- greater hygienic safety of chilled food

2

LED lighting

minimal energy consumption

- economical lighting
- attractive appearance

3

Surface height regulation

a large range of the height of the bottom surface of the display case

- greater variability of product storage
- space saving

4

Braked travel wheels

easy handling

- the possibility to easily move the display case during operation as required

Technical data sheet



Technical parameters

Chilled display unit GN 4-1/1 bottom cover, opening to the sides, Hemlock

Model

SAP Code

00012141

1. SAP Code:

00012141

2. Net Width [mm]:

1494

3. Net Depth [mm]:

760

4. Net Height [mm]:

1688

5. Net Weight [kg]:

183.00

6. Gross Width [mm]:

1558

7. Gross depth [mm]:

860

8. Gross Height [mm]:

1830

9. Gross Weight [kg]:

240.70

10. Device type:

Electric unit

11. Buffet type:

PLATINUM - dynamically cooled showcase

12. Device properties:

Chilled

13. Exterior color of the device:

Hemlock

14. Power electric [kW]:

0.494

15. Loading:

230 V / 1N - 50 Hz

16. Number of GN / EN:

4

17. GN / EN size in device:

GN 1/1

18. GN device depth:

200

19. Minimum device temperature [°C]:

4

20. Maximum device temperature [°C]:

8

21. Interior lighting:

No

22. Cross-section of conductors CU [mm²]:

0,5

- Výkon (kW): 2,4-3,3 (230 V)

23. Refrigerant:

R290